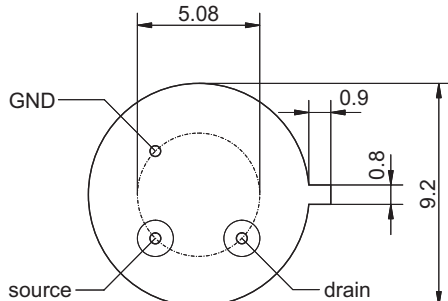


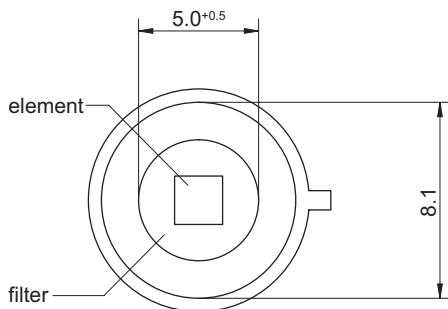
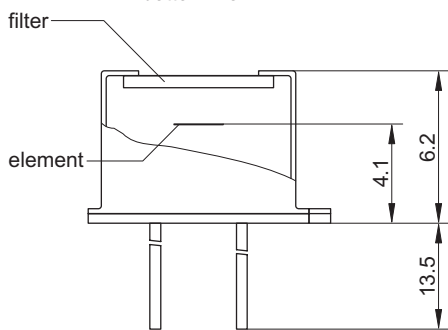


# HPS A02E

## Pyroelectric Single Element Detector for Measurement Applications



bottom view



element size	2 mm × 2 mm
aperture	5.0 <sup>+0.5</sup> mm
filter <sup>3</sup>	Ge* or Si* (8–14 μm)
responsivity <sup>1,2</sup>	> 250 V/W
noise <sup>1</sup>	< 80 nV/√Hz
specific detectivity <sup>1,2</sup>	> 8 · 10 <sup>8</sup> cm √Hz/W
offset voltage	0.4–1.5 V
operating voltage	2–18 V
housing	TO 39
operating temperature	–20 to 70 °C
storage temperature	–20 to 70 °C

1) frequency: 10 Hz, detector temperature: 25 °C

2) blackbody source temperature: 500 K, filter transmission: 100 %

3) other filters on request

