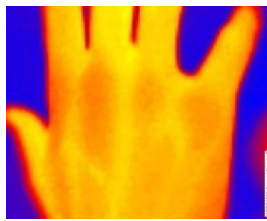


(Picture shows a human head watching to the side)



(Infrared picture of a hand, making the veins visible)

HTPA80x64d

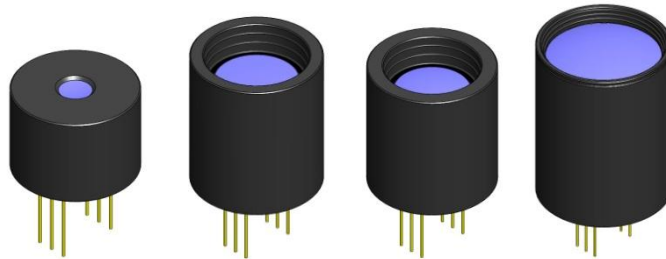
Infrared Thermopile Array Sensor

The HTPA80x64d is the bigger brother of the 32x32d infrared array sensor with a resolution of 80x64 Pixel inside a TO8 housing. Due to the digital SPI interface only 6 pins are needed. It has a built in EEPROM to store all calibration data and a 16-bit ADC. The Speed can be set internally via the sensor clock and ADC-resolution up to 20 Hz (highest resolution) or up to 200 Hz (lowest resolution).

Parameter	Value	Units
Supply Voltage (DC)	3.3-3.6	V
Current consumption	25	mA
Ambient temperature range	-20 to 85	°C
Object temperature range	-20 to >1000	°C
Framerate (full frame)	1 to 200	Hz
Framerate (quarter frame)	4 to 800	Hz
NETD (best optics)	250*	mK@1Hz

*: parts with <50 mK will be available in Q3/17

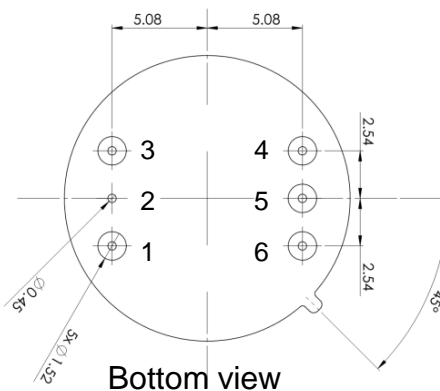
Available Optics:



Optic	L5.0	L10	L10.5	L22.5
FoV [°]	88 x 70	41 x 33	39 x 31	18 x 14
Length of cap [mm]	14.4	25.7	24.1	36.5
F-number	1.0	0.7	0.95	1.0

Pin Configuration (SPI)

Pin	Function
1	3.3 V supply
2	Ground
3	$\overline{EE_Enable}$
4	MISO
5	MOSI
6	SCLK



Bottom view

Modifications reserved Rev.08 / 14.02.2017