



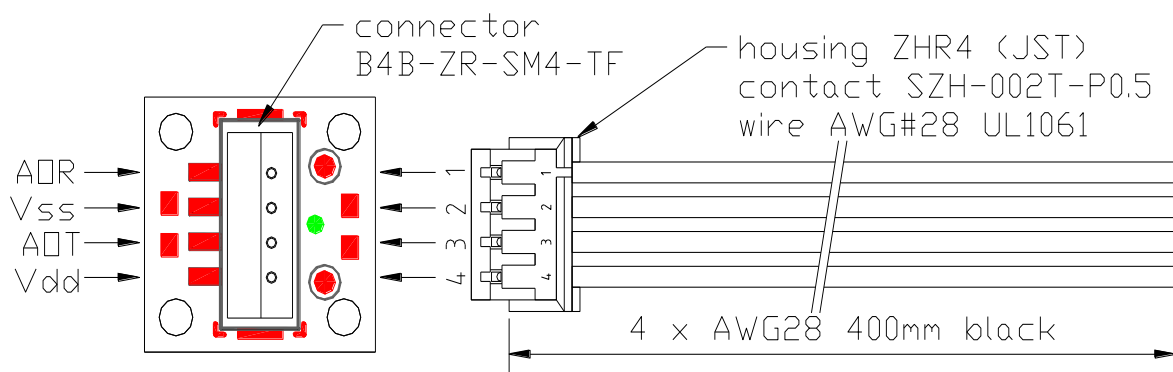
Datasheet Adapter Cable Set for Sensor Module HTIA Type 04ZH-28LK400-D

General information about HTIA sensor Moduls are described in
"General Datasheet HTIA" .

Liability

Changes or modifications at the product which haven't influence to the performance and/or quality of the device haven't to be announced to the customers in advance. Customers are requested to consult with Heimann Sensor representatives before the use of Heimann Sensor products in special applications where failure or abnormal operation may directly affect human lives or cause physical injury or property damage. The company or their representatives will not be responsible for damage arising from such use without prior approval.

Drawing



Order Information

Adapter cable set is provided with each sample delivery for free.
Please ask customer service for quote in case of further requirement for this option.